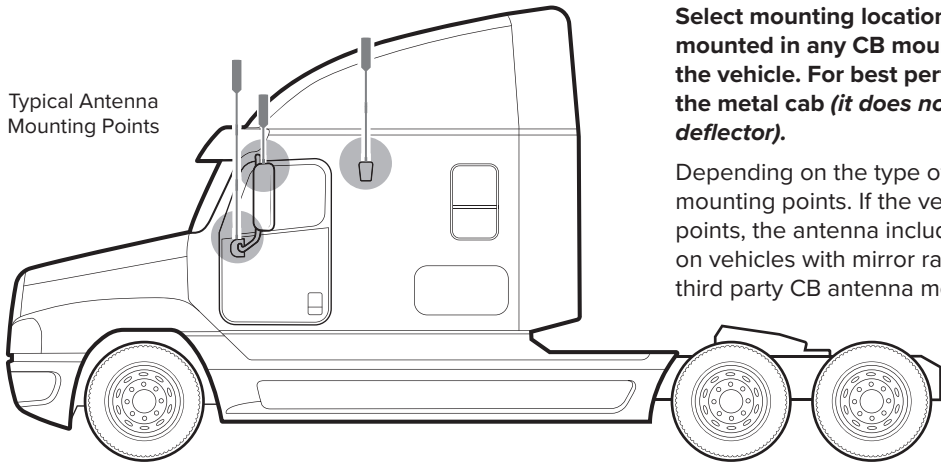


4G-OTR ANTENNA

TRUCK EDITION

Installation Overview

Typical Antenna Mounting Points



Select mounting location on vehicle. The antenna can be mounted in any CB mount or antenna mounting point on the vehicle. For best performance mount the antenna above the metal cab (it does not need to be above cab wind deflector).

Depending on the type of truck, there may be built-in antenna mounting points. If the vehicle does not have built-in mounting points, the antenna includes a three-way mount that will work on vehicles with mirror rails. The antenna will also work with third party CB antenna mounts.

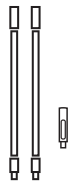
NOTE: Mount at least 12 inches from any other antennas. Free of obstructions.

Package Contents

This kit comes with parts to accommodate multiple installation options. You may not need all the parts in the kit for your installation.



OTR Antenna



Mast Extensions & Side Exit Adapter



3-Way Antenna Mount



Antenna Spring



Thread Lock Packets



Cable Adapter



Any questions? We are here to help

Technical Support

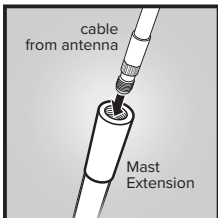
For Additional Support visit:

<https://www.weboost.com/us/support-center/> or call toll-free: 866-294-1660



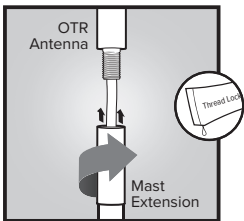
<https://powerfulsignal.com> or call toll-free: 866-912-3444

Antenna Assembly



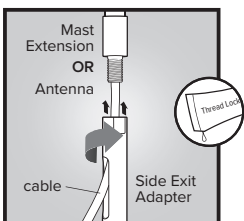
Once you have determined the best location for the antenna and have determined Mast Extensions are needed, insert cable **through** mast.

NOTE: Mast Extensions may not be needed depending on your mounting point.



If using Mast Extension(s) add **thread locker** (packets provided) to thread point(s). Screw into place.

NOTE: Be sure the the antenna is the correct height before applying thread locker.



Add thread locker (packets provided) to thread point and screw on the **Side Exit Adapter**.

NOTE: When adding the side exit adapter hold the antenna vertically and screw the adapter from the bottom up. This reduces cable twisting.

