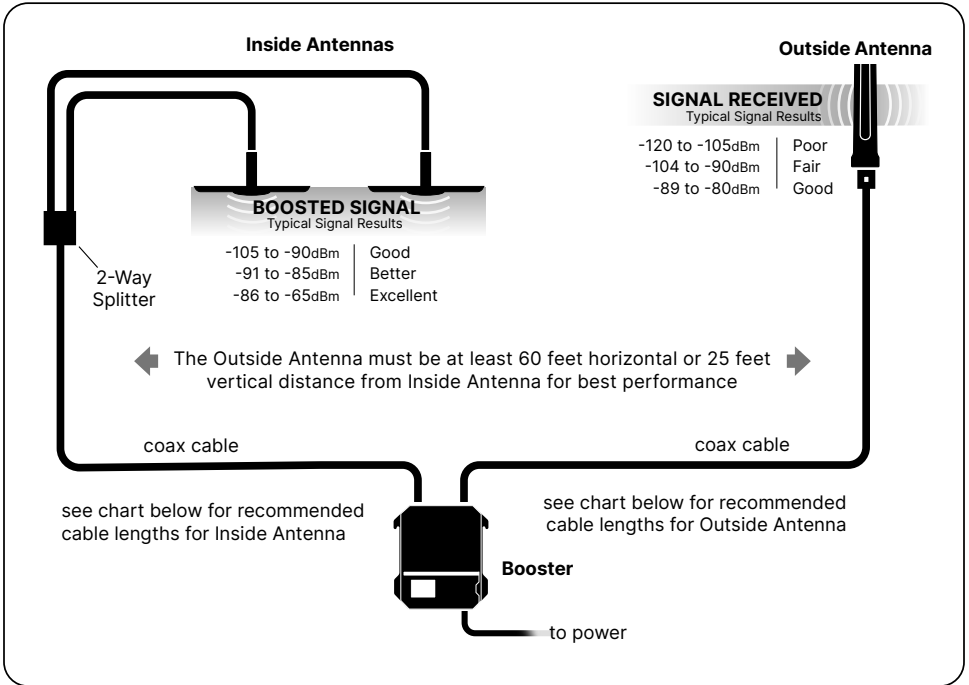


Office 300 Installed

Discard After Installation

we:boost



RECOMMENDED CABLE LENGTHS BASED ON OUTSIDE SIGNAL STRENGTH

| OUTSIDE SIGNAL STRENGTH | MAX CABLE LENGTH |
|-------------------------|------------------|
| -90 dBm | 100 feet |
| -80 dBm | 125 feet |
| -70 or higher | 150 feet |

Note: Minimum coax cable length for Outside Antenna is 20 feet.

LIGHT PATTERNS

Use the color LCD to verify each band is green. If there is a band that is not green, tap it to see troubleshooting guidance.

LCD Touchscreen Off

If the Signal Booster's light is off, verify your power supply has power.

TROUBLESHOOTING

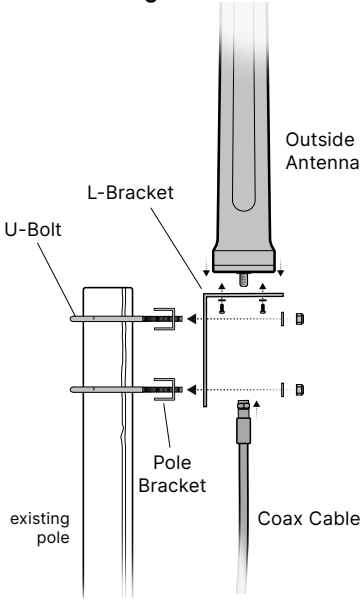
If you are happy with the coverage, these light issues don't have to be resolved. The carrier's band has not been affected.

Fixing Any Red Light Issues

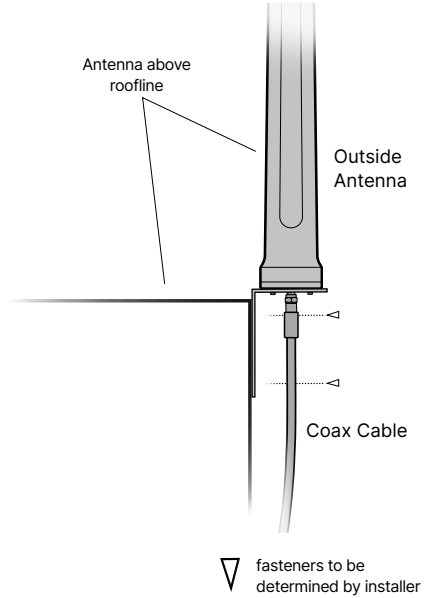
- Verify the Inside Antenna is at least 24" from the Booster.
- Tighten all cable connections (be sure to handtighten only, do NOT use tools). You may want to undo and redo the connection completely. Unplug and re-plug in power supply.
- Increase the distance (horizontally or vertically) between the Outside and Inside antenna. Un-plug and re-plug in power supply.

MOUNTING OUTSIDE ANTENNA

Pole Mounting



Flush Mounting



we:boost



3301 East Deseret Drive, St. George, UT

📞 1-866-294-1660 🌐 www.weboost.com 📧 support@weboost.com

Copyright © 2024 weBoost. All rights reserved.
weBoost products covered by U.S. patent(s) and pending application(s)
For patents go to: weboost.com/us/patents