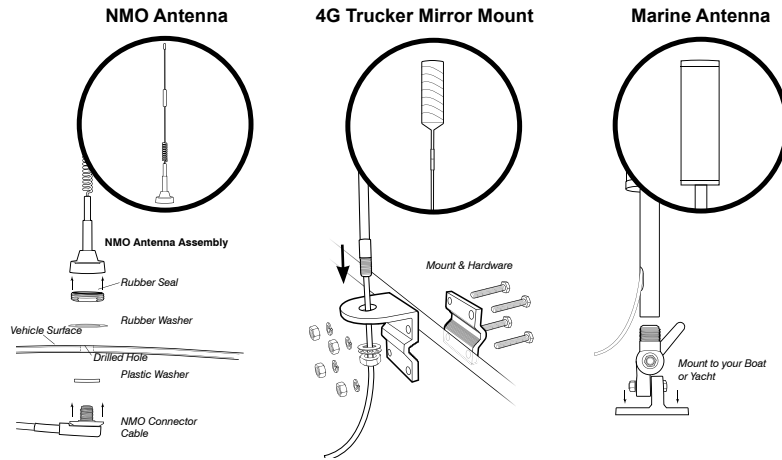


Alternate Outside Antenna Installations



THE ALUMINUM CASING OF YOUR SIGNAL BOOSTER WILL ADJUST TO THE TEMPERATURE OF ITS ENVIRONMENT, BUT IS DESIGNED TO PROTECT THE SIGNAL BOOSTER TECHNOLOGY. FOR EXAMPLE, IN THE SUMMER, THE SIGNAL BOOSTER CASE MAY BE AS HOT AS 150 DEGREES INSIDE YOUR VEHICLE. THESE HIGH TEMPERATURES WILL NOT DAMAGE THE SIGNAL BOOSTER, NOR DO THEY POSE A FIRE RISK TO THE VEHICLE. AGAIN, BE SURE TO PLACE YOUR SIGNAL BOOSTER IN A LOCATION WITH ADEQUATE VENTILATION AND AWAY FROM DIRECT SUNLIGHT OR MOISTURE.

THE DRIVE 4G-X SIGNAL BOOSTER MAY REMAIN ON, IN VEHICLES WHOSE 12V DC POWER SOURCES DO NOT AUTOMATICALLY SHUTDOWN WHEN THE VEHICLE IS TURNED OFF. THIS COULD RESULT IN DISCHARGING THE VEHICLE'S BATTERY IN ONE TO TWO DAYS.

Product Registration

Thank you for purchasing this weBoost product. Please take time to register your new product at our website:

www.weboost.com/us/productregistration

Registering is quick and easy, it only takes 2-3 minutes to complete. Your information is secure, we don't share or sell your information to other third parties.

This device complies with part 15 of the FCC Rules. Operation is subject to the following two conditions: (1) This device may not cause harmful interference, and (2) This device must accept any interference received, including interference that may cause undesired operation.

RF Safety: Any antenna used with this device must be located at least 8 inches from all persons.

FCC ID: PWO460021 IC: 4726A-460021 Model # 460021



3301 East Deseret Drive, St. George, UT 84790

web: www.weboost.com | email: support@weboost.com

phone: 866-294-1660 | local: 435-673-5021 | fax: 435-656-2432

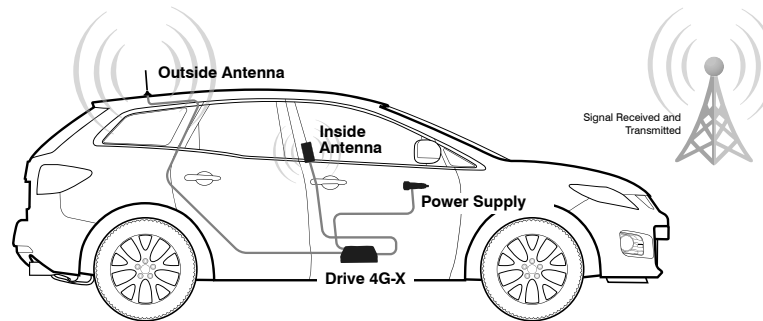


GDE000068_Rev01_01.22.18

How It Works

Your cell phone is an essential part of your life. weBoost is here to ensure you have seamless connections on all your cellular devices.

The Drive 4G-X cellular signal booster is an effective solution to all those times you have lost a call while driving your vehicle due to a weak cell signal. Installation is simple and can be completed with minimal tools.



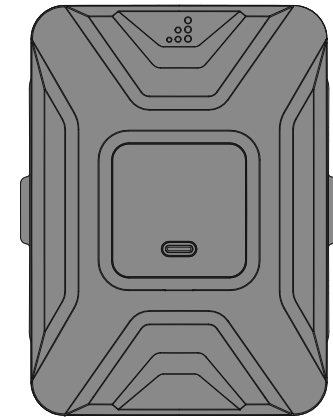
NEED ASSISTANCE? WE CAN HELP!

Contact our U.S.-BASED CUSTOMER SUPPORT:

- Contact our U.S.-based customer support team at 1-866-294-1660 or email at support@weboost.com

- Go online for how to resolve the most common issues at www.weboost.com/us/customersupport

Installation is simple, but we're here to make it even easier.



Drive 4G-X™ Quick Install Guide

For more information refer to full Install Guide at:
www.weboost.com/us/installguide/drive4G-X

Package Contents

Drive 4G-X Signal Booster
Mini-Mag Mount Antenna

Slim Low Profile Antenna
DC Power Supply

Mounting Bracket

This is a CONSUMER device.

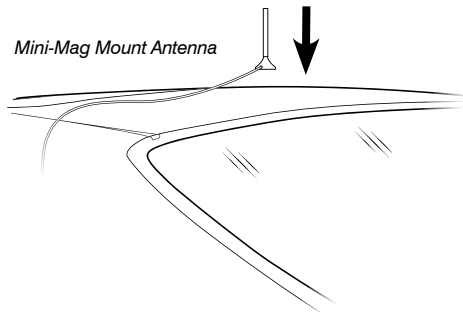
BEFORE USE, you MUST REGISTER THIS DEVICE with your wireless provider and have your provider's consent. Most wireless providers consent to the use of signal boosters. Some providers may not consent to the use of this device on their network. If you are unsure, contact your provider. In Canada, **BEFORE USE** you must meet all requirements set out in ISED CPC-2-1-05. You **MUST** operate this device with approved antennas and cables as specified by the manufacturer. Antennas **MUST** be installed at least 20 cm (8 inches) from (i.e., **MUST NOT** be installed within 20 cm of) any person. You **MUST** cease operating this device immediately if requested by the FCC (or ISED in Canada) or licensed wireless service provider. **WARNING.** E911 location information may not be provided or may be inaccurate for calls served by using this device.

1 Outside Antenna Installation

Select a location on top of the vehicle to mount the Mini-Mag Mount Antenna that is:

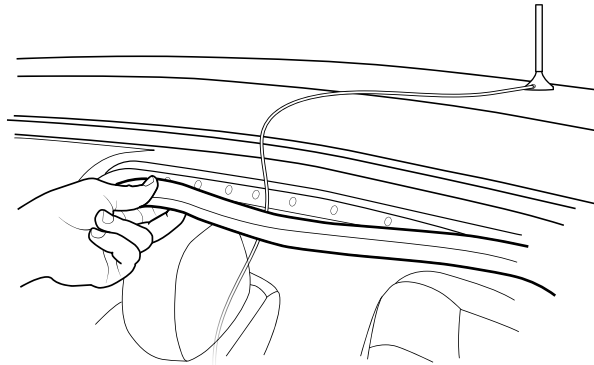
Refer to other side for Alternate Outside Antenna Kit Installations.

- Near the center of the vehicle's roof.
- Free of obstructions.
- At least 12 inches from any other antennas.
- At least 6 inches from any windows (including sunroofs).



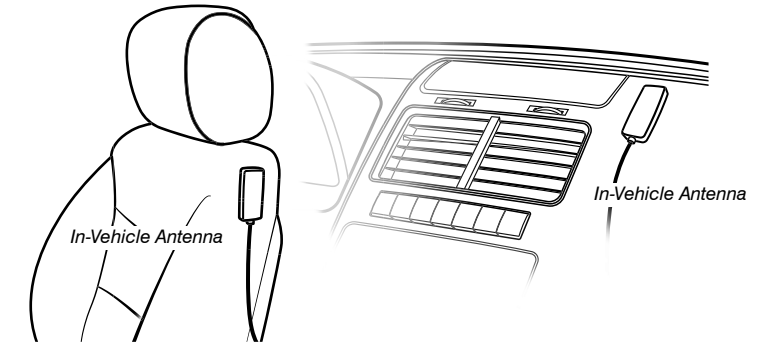
2 Running Antenna Cable

Run the Outside Antenna cable into the car. The cable is strong enough that it may be shut in most vehicle doors without damaging the cable. For a cleaner look, carefully pull down the door seal, run the cable under the seal, and push the seal back into place. This method reduces wear on the cable as the door opens and closes.



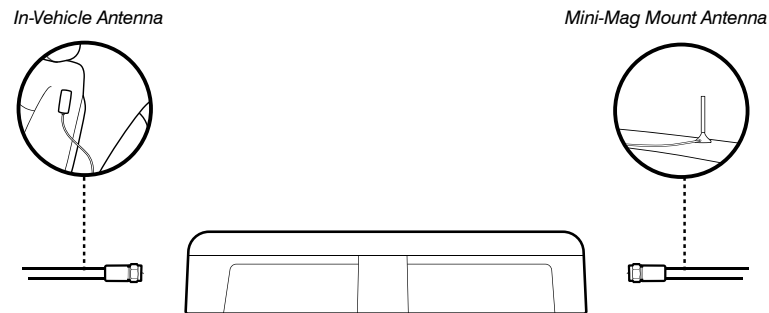
3 Inside Antenna Installation

Identify a place to mount the 4G In-Vehicle Antenna. Either on the side on seat or dash. The location should be at least 18 inches but no more than 36 inches from where the cellular device will be used. Use the Velcro® adhesive strip/adhesive strip provided and attach to desired location.



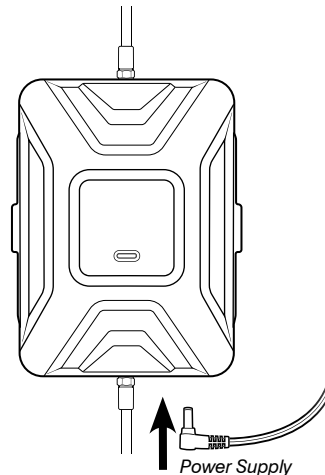
4 Connect Coax Cables to Drive 4G-X

Select a location for the Drive 4G-X that is free from excessive heat, direct sunlight and moisture and that has proper ventilation. Good locations include underneath a seat or under the dashboard. Connect the cable from the Mini-Mag Mount Antenna to the port labeled "Outside Antenna" on the Drive 4G-X and connect the cable from the 4G In-Vehicle Antenna to the port labeled "Inside Antenna" on the booster.



5 Connect Power Supply to Drive 4G-X

Connect the power supply cord to the end of the Drive 4G-X labeled "Power." NOTE: Do NOT connect the power to the Signal Booster until you have connected both the Inside and Outside Antennas.



6 Connect to Power Supply

Plug the power adapter into vehicle's 12V DC power supply. Power up your Drive 4G-X by flipping the switch on the back of the DC power adapter on. If your Drive 4G-X is working correctly, the light will be green.

NOTE: If light is not green on your weBoost booster, please refer to the full user guide online or contact customer support at 1-866-294-1660 or go to support@weboost.com.

