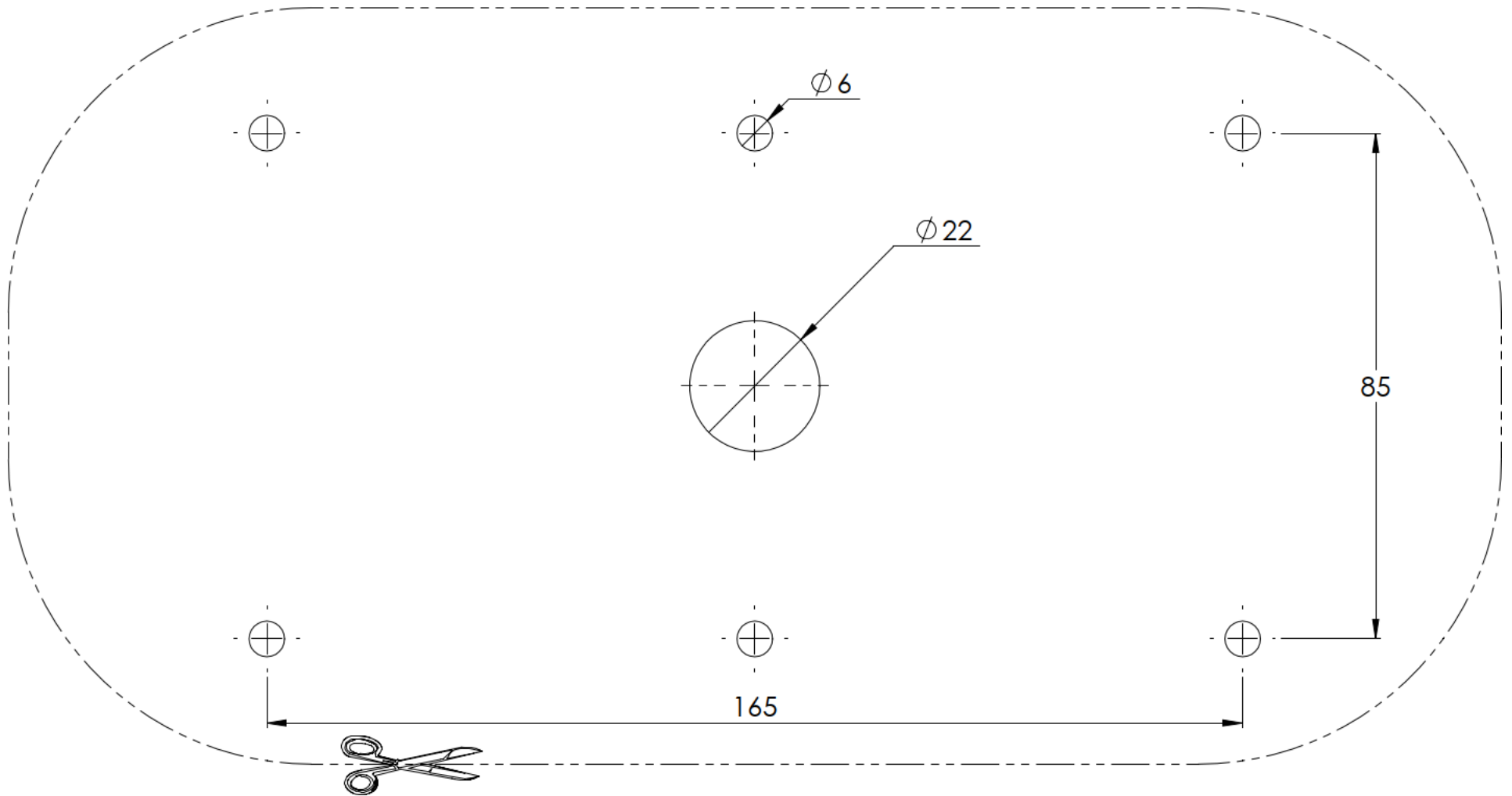


Poynting MIMO-3-17 “Badger” Drilling Template



To obtain an accurate 1:1 scale, print this drawing on letter paper (8½"×11"). Compare the scale below to a metric ruler to ensure that a 1:1 scale has been achieved.

