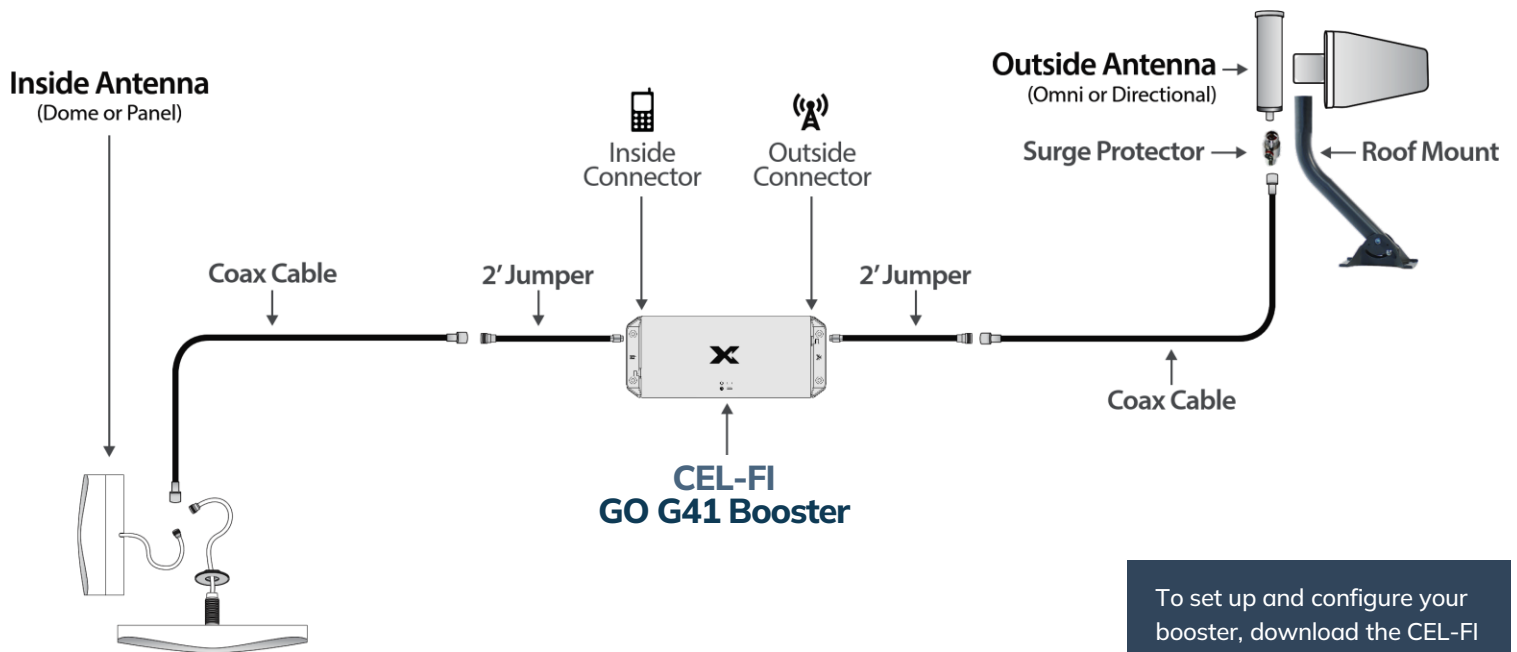


# CEL-FI GO G41 Cell Signal Booster Installation Guide

TS002004



## 1 Outside Antenna

Attach the antenna vertically to a roof mount or pole at the highest point on the roof.

- A directional antenna must be pointed at the cell tower you wish to use.
- An omnidirectional antenna does not need to be pointed or aimed.

## 2 CEL-FI GO G41 Amplifier

Mount the booster near an AC power outlet in a climate-controlled location. Mount the booster in a location that will allow you to use the shortest run of cable possible to connect it to the outside antenna.

## 3 Inside Antenna

Try to get at least 20 feet of vertical separation between the inside and outside antennas and 10 feet of separation between the inside antenna and the booster. Install a dome antenna in the ceiling close to the center of where you need signal most; install a panel antenna with its front face pointed toward the area where you need signal most.

## 4 Coax Cables

Attach a coax cable to the outside antenna and run it into the house through a vent or other opening. Connect it to the booster's *Outside* port, using one of the 2-foot jumper cables. Connect the other jumper cable to the booster's *Inside* port. Attach a run of coax cable to the second jumper and run it to the inside antenna. Use barrel connectors to create longer runs of cable, as needed. Do not kink, loop, or coil excess cable.

To set up and configure your booster, download the CEL-FI WAVE app from iOS App Store or Google Play Store.

## Installation Tip:

We strongly recommend that you do a “**soft installation**” before permanently mounting the components and pulling cables.

- Set up and connect all the components, but don't mount any items.
- Bring the outside cable in through an open window or door and position the antennas where you intend to install them.
- Turn the system on and check the results. If it's not working the way you expect, give us a call—we're happy to help you!

# Instructions continued:

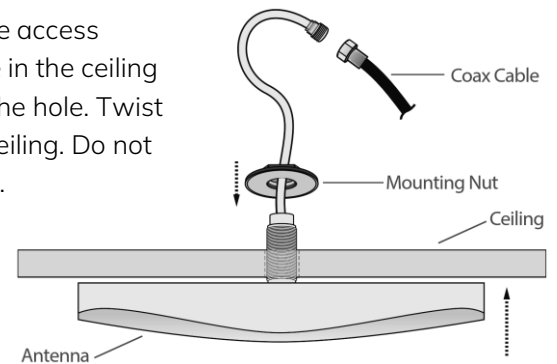
## Installing a Lightning Surge Protector

If your system includes a lightning surge protector, connect it between the outside antenna and the coax cable to the booster. Insert a 10-gauge solid copper ground wire (*not included*) into the eyelet of the surge protector and crimp with pliers. Run the ground wire outside the house to an 8-foot solid copper ground rod (*not included*).



## Installing a Dome Antenna

If your system includes a dome antenna, install it in a location where you have access above the ceiling near the center of where you need signal. Cut a  $\frac{3}{4}$ -inch hole in the ceiling and insert the antenna's mounting post and pigtail connector cable through the hole. Twist the mounting nut onto the top of the post until the antenna is flush with the ceiling. Do not overtighten. Connect the pigtail cable to a coax cable that runs to the booster.



## How to Install Two or More Inside Antennas

If your system includes two or more inside dome or panel antennas, attach the 2-foot jumper cable to the *Inside* port of the booster and connect the splitter to the other end of the jumper cable. Connect coax cables to the opposite end of the splitter and run one to each inside antenna.

