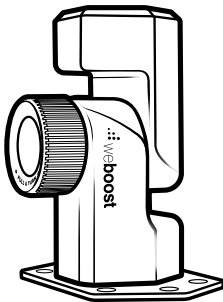




## Installation Guide

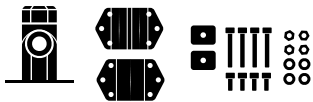


## Overland Antenna Mount

# Index

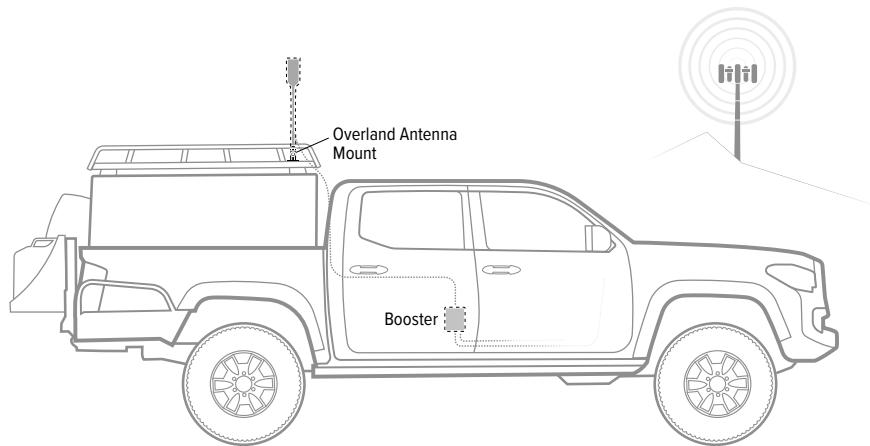
Package Contents .....	1
Installing the Overland Antenna Mount .....	3
T-Track Mounting Option .....	4
Pole Mounting Option .....	5
Fixed Mounting Option .....	6

## Package Contents



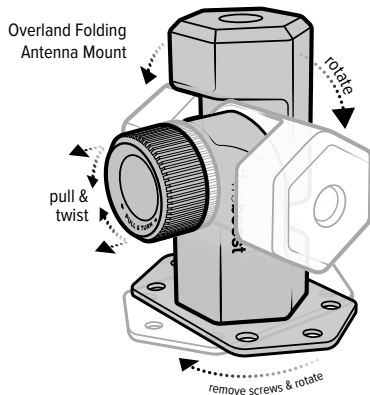
Overland Mounting Bracket  
& Hardware

## Installation Overview

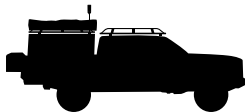
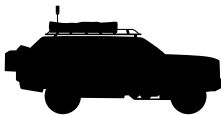


## Installing the Overland Antenna Mount

This mount makes it easier to install the outside antenna to different types of overland vehicles. The overland folding mounting bracket is very versatile with different mounting options shown below.



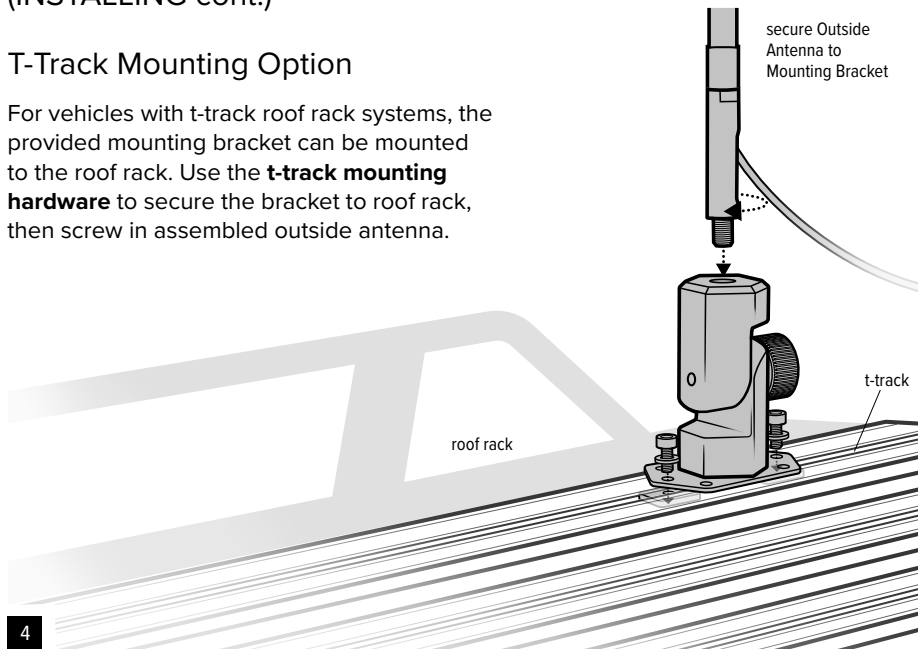
Works with Different Overland Vehicle Types



(INSTALLING cont.)

## T-Track Mounting Option

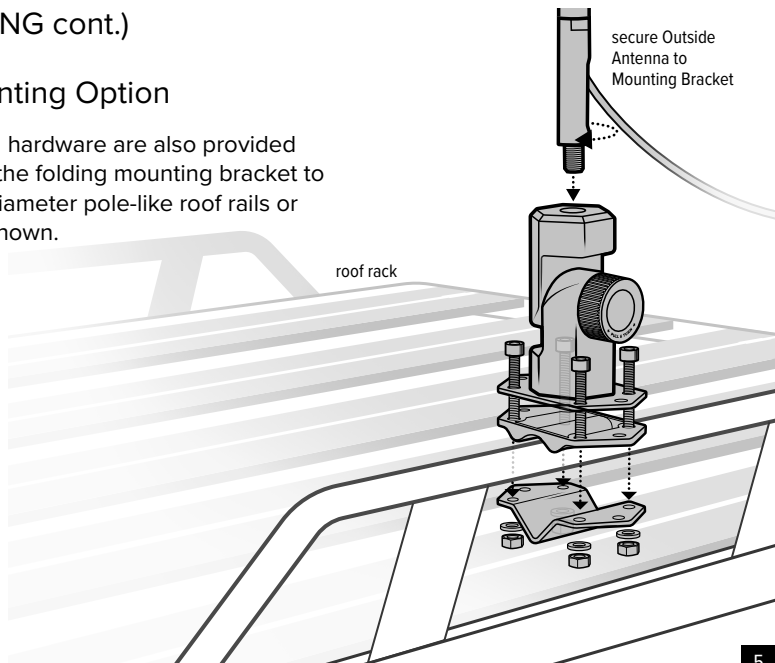
For vehicles with t-track roof rack systems, the provided mounting bracket can be mounted to the roof rack. Use the **t-track mounting hardware** to secure the bracket to roof rack, then screw in assembled outside antenna.



(INSTALLING cont.)

## Pole Mounting Option

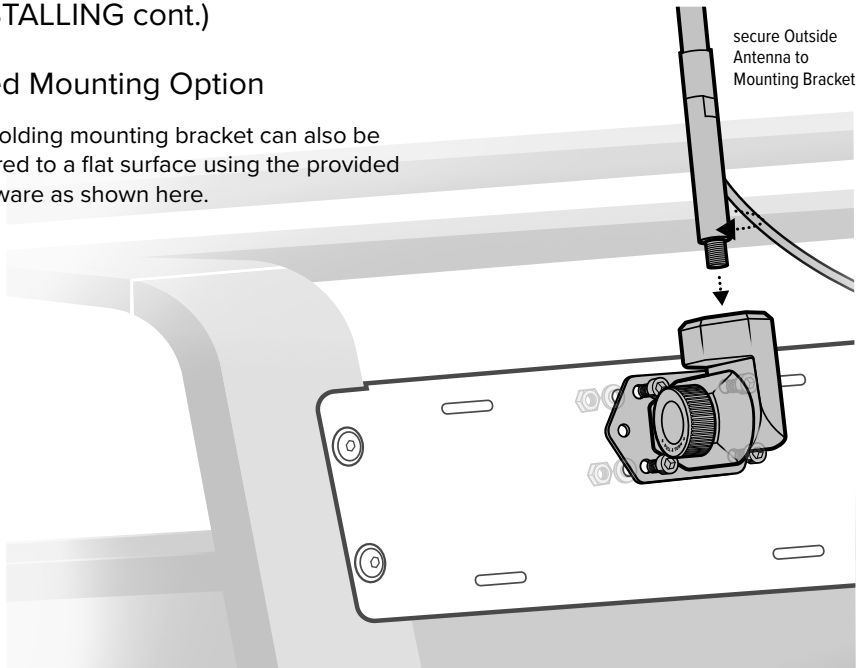
Brackets and hardware are also provided for securing the folding mounting bracket to 1.0-1.5 inch diameter pole-like roof rails or ladders, as shown.



(INSTALLING cont.)

## Fixed Mounting Option

The folding mounting bracket can also be secured to a flat surface using the provided hardware as shown here.














3301 East Deseret Drive, St. George, UT

 1.866.294.1660  [www.weboost.com](http://www.weboost.com)  [support@weboost.com](mailto:support@weboost.com)

Copyright © 2022 weBoost. All rights reserved. weBoost products covered by U.S. patent(s) and pending application(s)  
For patents go to: [weboost.com/us/patents](http://weboost.com/us/patents)