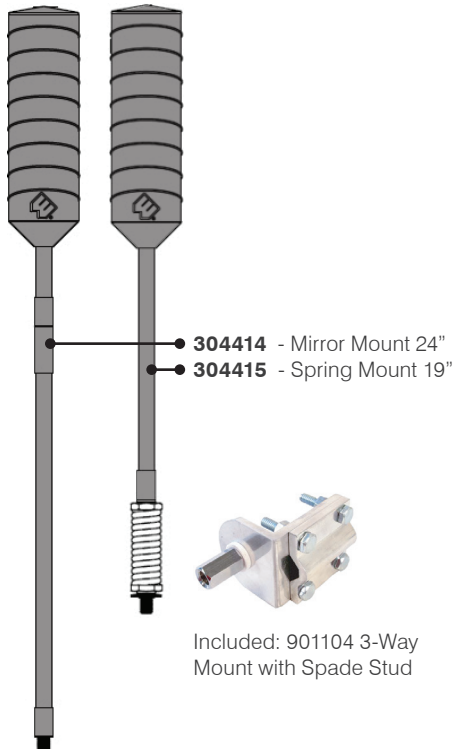


4G TRUCKER ANTENNA

Truck & RV 4G Cellular Omni-Directional Antenna

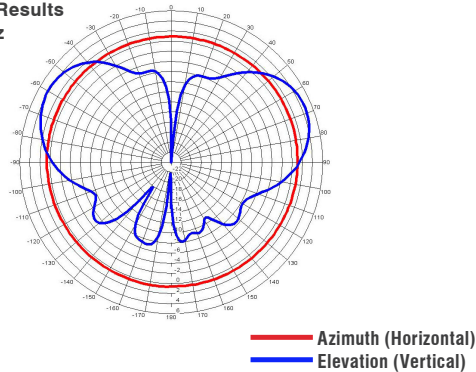


- Covers 700, 800, 1700, 1900, 2200 MHz cellular
- All modes, voice and data
- High gain signal output surpasses others this size
- Available shock spring & other mast heights
- Compact, low visual impact
- Ruggedized for trucker heavy-duty applications
- Fits standard mirror brackets
- Connects to mobile cellular boosters
- Assembled in USA & 2 year warranty

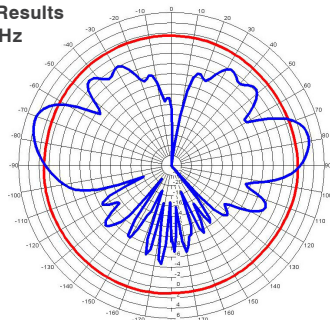
ELECTRICAL SPECIFICATIONS

Frequency range (MHZ)	700-900	1710-2270	1850-2160
Polarization	Vertical		
Gain (dBi)	2.5 to 3.5		
Horizontal Beamwidth (°)	360		
Vertical Beamwidth (°)	20-30 (avg each band)		
Impedance (Ω)	50		
VSWR	≤1.7:1	1.5:1 Average	
Maximum input power (W)	50		
Lightning Resistance	Non-Conducting Radome		

Actual Test Results
700-960MHz
Typical



Actual Test Results
1710-2160MHz
Typical



MECHANICAL SPECIFICATIONS

Model	304414	304415
Connector	SMA	
Cable Length (ft / m)	14 / 4.3	
Overall Height (in / mm)	24 / 607	19 / 491
Radome Tube Diam (in / mm)	2.2 / 56	
Radome Length (in / mm)	7.5 / 191	
Support Mast Diameter (in / mm)	0.5 / 12.7	
Support Mast Height (in / mm)	16 / 410	8 / 203
Mounting/Attachment (in / mm)	3/8-24 Threaded Stud	
Antenna weight (oz / kg)	16 / 0.45 (est)	
Packing weight (oz / km)	20 / 0.57 (est)	
Rated wind velocity (mph / kph)	140 / 225	
Radiator material	Aluminum, High Strength ABS	
Mast material	Stainless Steel, Fiberglass Epoxy	
Radome Color	Black	
Operating temperature (°C / F)	-40 to +55 / -40 to + 131	

304414-304415_SS_11-02-15_R02