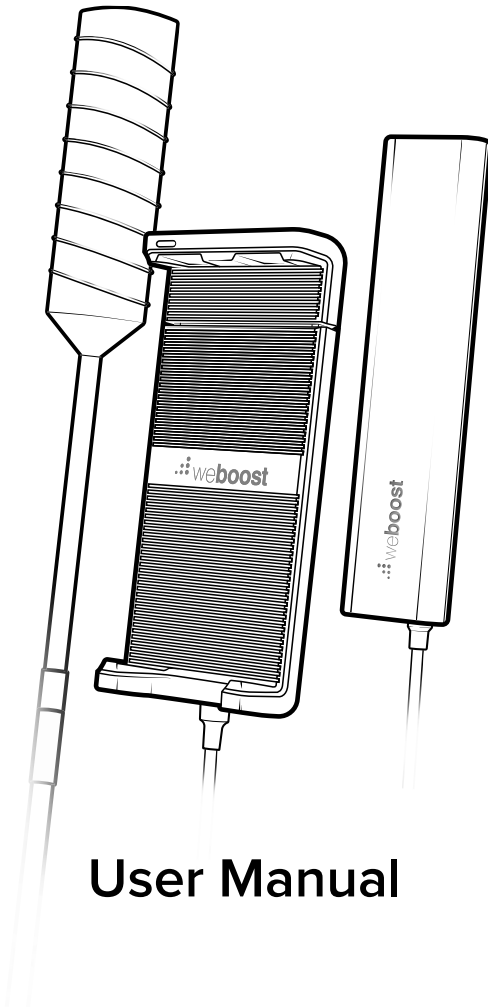


DRIVE SLEEK OTR

Cellular Booster For Trucks



User Manual

NEED HELP?



support.weboost.com



866.294.1660

PowerfulSignal

Index

Package Contents	1
STEP 1: Select Mounting Location	2
STEP 2: Assemble The Antenna	3
STEP 3: Mount The Antenna	5
STEP 4: Route Antenna Cable & Connect Booster	6
STEP 5: Route Fixed Booster Cable & Connect To Cradle	7
STEP 6: Connect System To Power	8
STEP 7: Insert Your Phone Into Cradle	9
Troubleshooting	10
Safety Guidelines	11
Specifications	12
Warranty	13

Package Contents



Sleek
Cradle



Signal
Booster



Outside
Antenna



Mast Extensions
& Side Exit Adapter



Power
Supply



3- Way Antenna
Mount



Antenna
Spring



Thread Lock
Packets



Cable
Adapter



Cradle
Mount

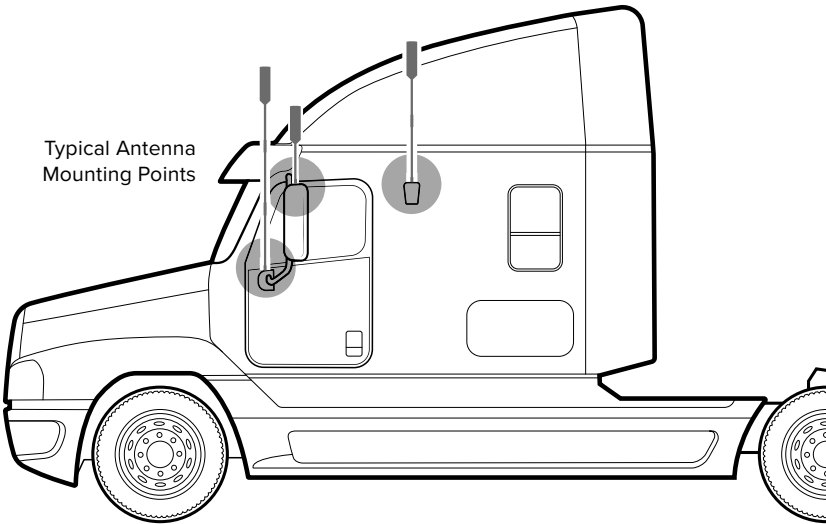
Step 1: Select Mounting Location

Select mounting location on vehicle. The antenna can be mounted in any CB mount or antenna mounting point on the vehicle. For best performance mount the antenna above the metal cab (it does not need to be above cab wind deflector).

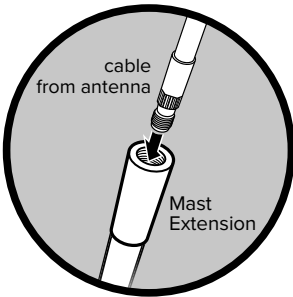
Depending on the type of truck, there may be built-in antenna mounting points. If the vehicle does not have built-in mounting points, the antenna includes a three-way mount that will work on vehicles with mirror rails. The antenna will also work with third party CB antenna mounts.

NOTE: Mount at least 12 inches from any other antennas. Free of obstructions.

NOTE: If the vehicle is using two CB antennas with co-phase wiring, removing one antenna will cause reduced performance of the remaining CB antenna.

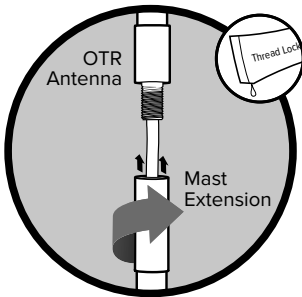


Step 2: Assemble The Antenna



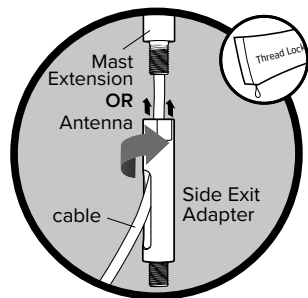
Once you have determined the best location for the antenna and have determined if Mast Extensions are needed, insert cable **through** mast.

NOTE: Mast Extensions may not be needed depending on your mounting point.



If using Mast Extension(s) add **thread locker** (packets provided) to thread point(s). Screw into place.

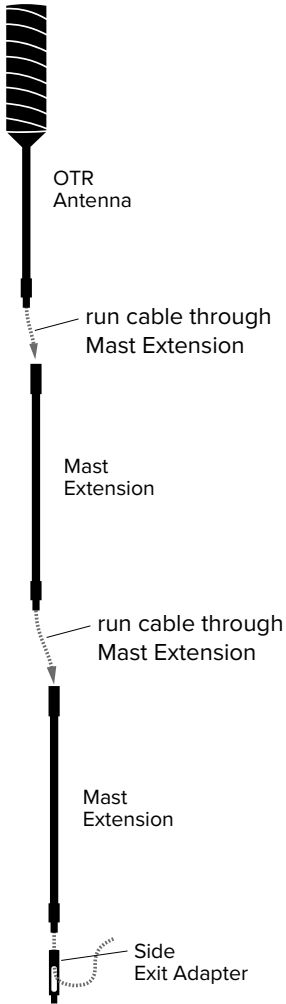
NOTE: Be sure the antenna is the correct height before applying thread locker.



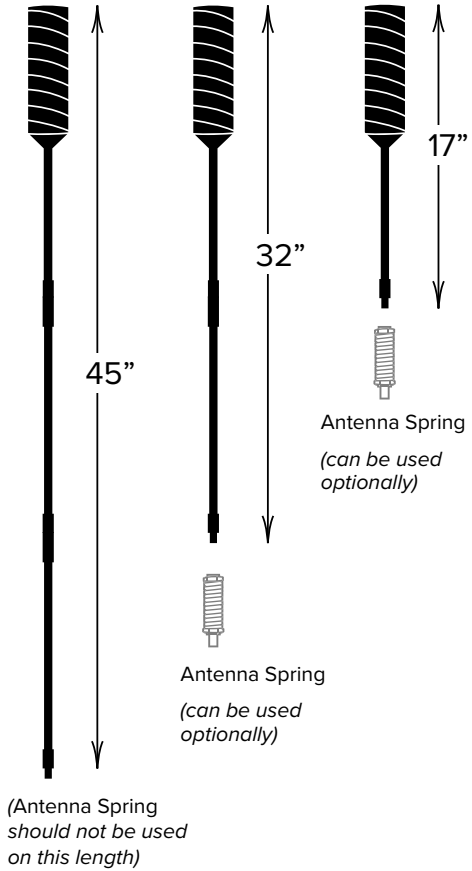
Add thread locker (packets provided) to thread point and screw on the **Side Exit Adapter**.

NOTE: When adding the side exit adapter hold the antenna vertically and screw the adapter from the bottom up. This reduces cable twisting.

(STEP 2 cont.)



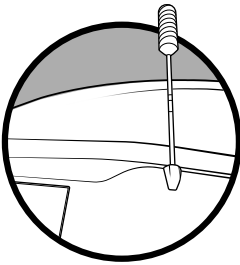
NOTE: The included spring should only be used on shorter masts variations.



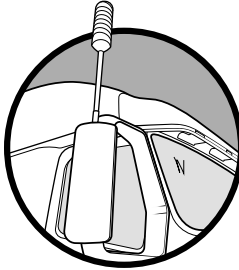
Step 3: Mount The Antenna

These are some **typical antenna mounting points**. If the vehicle does not have built-in mounting points, a three-way mount is included that will work on vehicles with mirror rails.

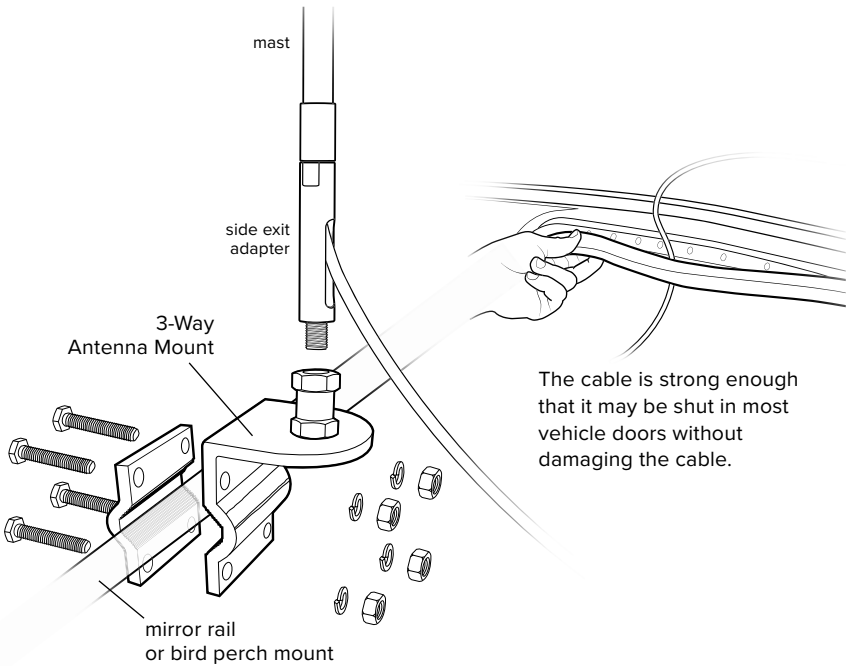
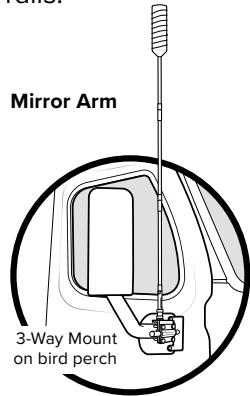
Upper Side



Top of Mirror



Mirror Arm

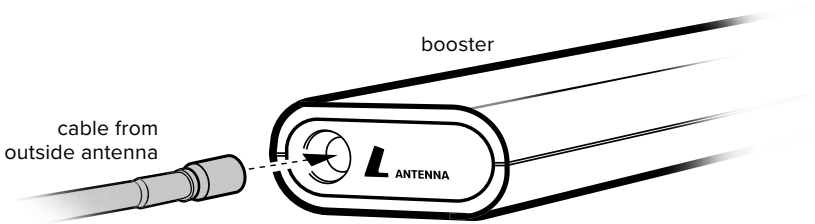


The cable is strong enough that it may be shut in most vehicle doors without damaging the cable.

Step 4: Route Antenna Cable & Connect Booster

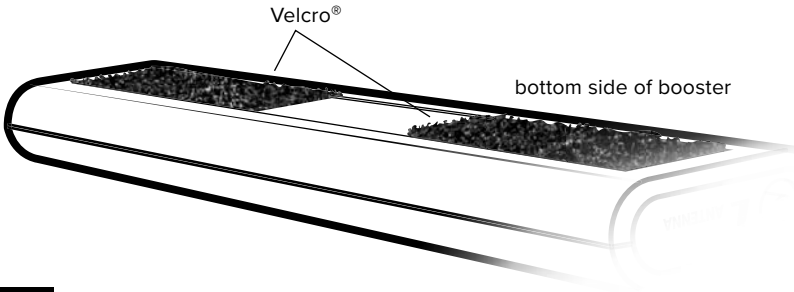
Connect the cable from the outside antenna to the booster port labeled **L ANTENNA** by simply pressing the connector in until you hear a “click”.

NOTE: Connecting cable from outside antenna to booster **does not** take much force.



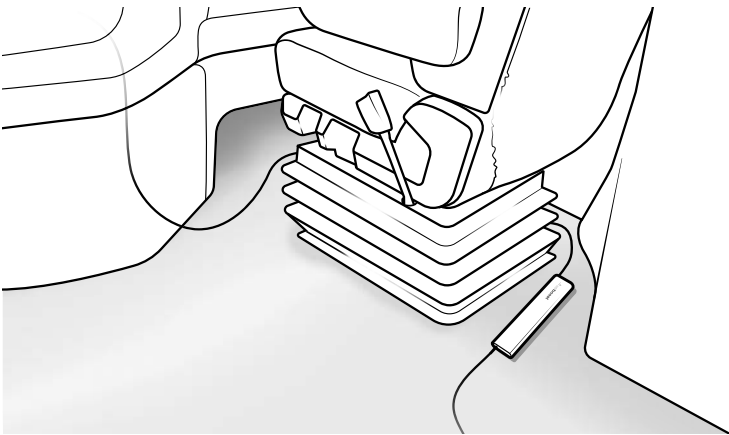
The included Velcro® can be used to mount the booster out-of-the way on the floor under a seat or mounted in the back of the cab. It is best to mount in a place where the cables cannot be tripped over or snagged (damaging the booster).

NOTE: The “hook” side of the Velcro® (already on the booster) can be used to attach to the carpet of many vehicles.

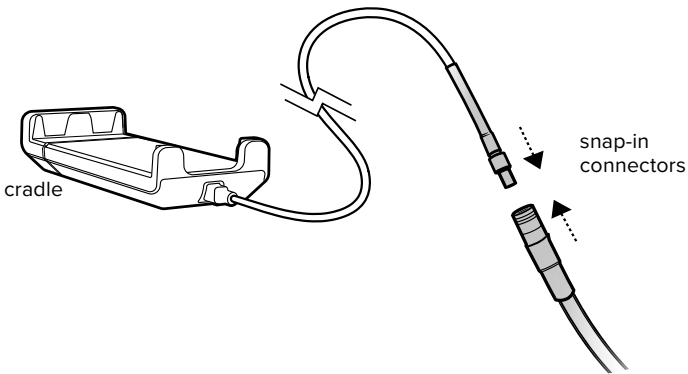


Step 5: Route Fixed Booster Cable & Connect To Cradle

Place booster behind seats or in back area of vehicle and route the **15ft. fixed cable** to the front of the vehicle where the cradle will be located.



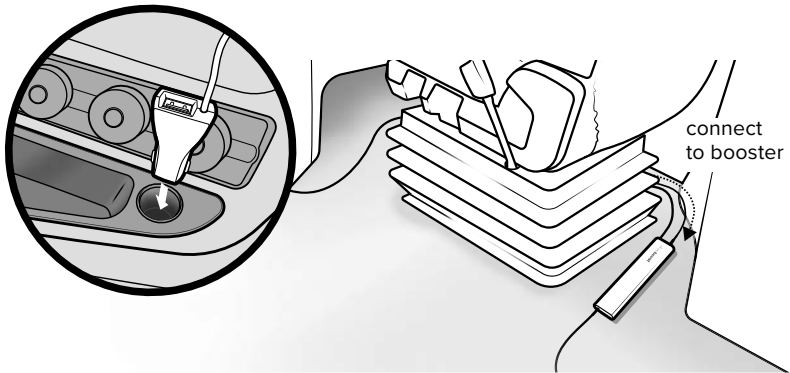
Connect booster cable to cradle cable.




Step 6: Connect System To Power

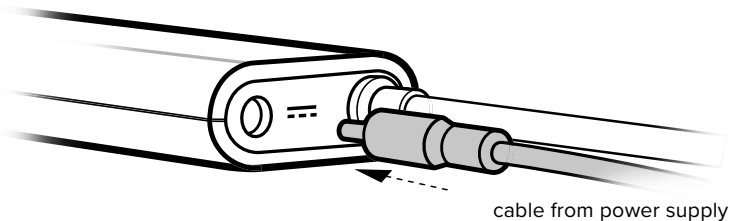
Connect the power to the 12V* CLA port on your vehicle and route power cable back to the booster.

NOTE: We recommend routing with the same path as the cradle/booster cable (under mats and between seats).



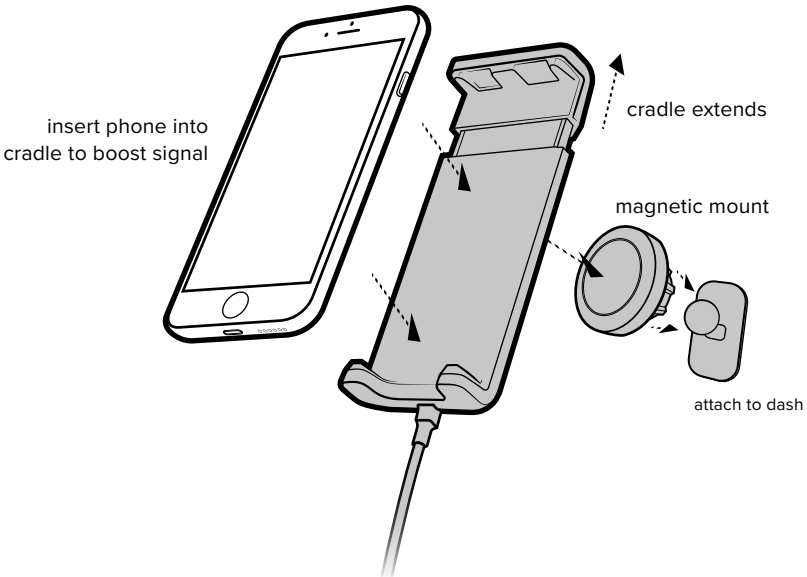
Connect power cable to booster port labeled  .

NOTE: The booster will be on whenever there is power from the 12V CLA port. If your vehicle always has power going to this port, you may want to unplug this when you're not driving so the booster does not drain your battery. ***Only 12V ports are supported.**



Step 7: Insert Your Phone Into Cradle

Make sure you have plenty of slack in the cable going up to the cradle (Velcro® straps included to manage excess cable). Insert your phone into cradle and watch your signal increase!



NOTE: A magnetic mount is provided which provides a versatile, safe and functional smartphone solution.

IMPORTANT: The FCC requires to never use the cell phone in the cradle next to your ear.

Troubleshooting

Solid White (LED on cradle)

This indicates that your booster is functioning properly and at maximum gain.

Light Off (LED on cradle)

Check/secure power connections to the CLA, booster, and cradle. If light shuts off, remove from vehicle port and plug back in to reset the system. For any questions or assistance contact our weBoost Customer Support Team (**1-866-294-1660**).

Dropped Calls

If you are regularly experiencing dropped calls in the same areas, turn off **VoLTE/HD Voice** in your phone's settings.

NEED HELP?



support.weboost.com



866.294.1660

Safety Guidelines

Use only the power supply provided in this package. Use of a non-weBoost product may damage your equipment.

Any antenna used with this device must be located at least 8 inches from all persons.

FCC requires to never use the cell phone in the cradle next to your ear.

This is a CONSUMER device.

BEFORE USE, you **MUST REGISTER THIS DEVICE** with your wireless provider and have your provider's consent. Most wireless providers consent to the use of signal boosters. Some providers may not consent to the use of this device on their network. If you are unsure, contact your provider.

In Canada, **BEFORE USE** you must meet all requirements set out in ISED CPC-2-1-05. You **MUST** operate this device with approved antennas and cables as specified by the manufacturer. Antennas **MUST** be installed at least 20 cm (8 inches) from (i.e., **MUST NOT** be installed within 20 cm of) any person.

You **MUST** cease operating this device immediately if requested by the FCC (or ISED in Canada) or licensed wireless service provider.

WARNING. E911 location information may not be provided or may be inaccurate for calls served by using this device.

FOR MORE INFORMATION ON REQUIREMENTS SET OUT IN ISED CPC-2-1-05, SEE BELOW:

<http://www.ic.gc.ca/eic/site/smt-gst.nsf/eng/sf08942.html>

FOR MORE INFORMATION ON REGISTERING YOUR SIGNAL BOOSTER WITH YOUR WIRELESS PROVIDER, PLEASE SEE BELOW:

Sprint: http://www.sprint.com/legal/fcc_boosters.html

T-Mobile/MetroPCS: <https://support.t-mobile.com/docs/DOC-9827>

Verizon Wireless: <http://www.verizonwireless.com/wcms/consumer/register-signal-booster.html>

AT&T: <https://securec45.securewebsession.com/attsignalbooster.com/>

U.S. Cellular: <http://www.uscellular.com/uscellular/support/fcc-booster-registration.jsp>

Specifications

Drive Sleek

Product Number	U470035				
Model Number	460035				
FCC ID:	PWO460035				
IC:	4726A-460035				
Frequency	698-716 MHz, 729-756 MHz, 777-787 MHz, 824-894 MHz, 1850-1995 MHz, 1710-1755/2110-2155 MHz				
	Maximum Power				
Power output for single cell phone (Uplink) dBm	700 MHz Band 12/17 18.74	700 MHz Band 13 21.57	800 MHz Band 5 22.65	1700 MHz Band 4 25.56	1900 MHz Band 2 19.19
Power output for single cell phone (Downlink) dBm	700 MHz Band 12/17 2.1	700 MHz Band 13 2.1	800 MHz Band 5 -2.5	2100 MHz Band 4 -0.6	1900 MHz Band 2 2.5
Noise Figure	5 dB nominal				
Power Requirements	12 V 1.5 A / USB 5V 2.1 A				

The term "IC" before the radio certification number only signifies that Industry Canada technical specifications were met.

Each Signal Booster is individually tested and factory set to ensure FCC compliance. The Signal Booster cannot be adjusted without factory reprogramming or disabling the hardware. The Signal Booster will amplify, but not alter incoming and outgoing signals in order to increase coverage of authorized frequency bands only. If the Signal Booster is not in use for five minutes, it will reduce gain until a signal is detected. If a detected signal is too high in a frequency band, or if the Signal Booster detects an oscillation, the Signal Booster will automatically turn the power off on that band. For a detected oscillation the Signal Booster will automatically resume normal operation after a minimum of 1 minute. After 5 (five) such automatic restarts, any problematic bands are permanently shut off until the Signal Booster has been manually restarted by momentarily removing power from the Signal Booster. Noise power, gain, and linearity are maintained by the Signal Booster's microprocessor.

This device complies with Part 15 of FCC rules. Operation is subject to two conditions: (1) This device may not cause harmful interference, and (2) this device must accept any interference received, including interference that may cause undesired operation. Changes or modifications not expressly approved by weBoost could void the authority to operate this equipment.



2 YEAR WARRANTY

weBoost Signal Boosters are warranted for two (2) years against defects in workmanship and/or materials. Warranty cases may be resolved by returning the product directly to the reseller with a dated proof of purchase.

Signal Boosters may also be returned directly to the manufacturer at the consumer's expense, with a dated proof of purchase and a Returned Material Authorization (RMA) number supplied by weBoost. weBoost shall, at its option, either repair or replace the product.

This warranty does not apply to any Signal Boosters determined by weBoost to have been subjected to misuse, abuse, neglect, or mishandling that alters or damages physical or electronic properties.

Replacement products may include refurbished weBoost products that have been recertified to conform with product specifications.

RMA numbers may be obtained by contacting Customer Support

DISCLAIMER: The information provided by weBoost is believed to be complete and accurate. However, no responsibility is assumed by weBoost for any business or personal losses arising from its use, or for any infringements of patents or other rights of third parties that may result from its use.

NEED HELP?



support.weboost.com



866.294.1660



3301 East Deseret Drive, St. George, UT

 866.294.1660  www.weboost.com  support.weboost.com

Copyright © 2017 weBoost. All rights reserved.

weBoost products covered by U.S. patent(s) and pending application(s)

For patents go to: weboost.com/us/patents

NOT AFFILIATED WITH WILSON ANTENNA

GDE000070_Rev01_5.23.18

PowerfulSignal