

Overview

Designed to blend seamlessly into any environment, the SureCall Ultra Thin Antenna™ is a low-profile ceiling-mount antenna for in-building cell phone signal boosters.

The wide band indoor antenna transmits and receives signal in a 360 degree pattern and is designed to cover 2G/3G/4G and WLAN systems for Cellular, PCS, AWS and LTE frequencies.

- » N-Female connector (50 ohm)
- » 3.5 dBi / 7.5 dBi Gain
- » Wide band: 2G, 3G & 4G LTE (698 - 2700 MHz)
- » Includes mounting hardware
- » Connects to booster with SC-400 cable (sold separately)



Specifications

Frequency	698-960 / 1710-2700 MHz
Input Impedance	50 Ohm
Max Gain	3.5 dBi / 7.5 dBi
Non-Circularity	±2.5 dB / ±4.0 dB
Beamwidth	360 degrees
VSWR	≤1.7
Polarization Type	Vertical
Radiation Pattern	Omni-directional
Connector Type	N-Female
Height	1.45"
Diameter	11.8"
Weight	1.19 lbs
Cover Material	PC+ABS
Mount Type	Ceiling

Install guidelines

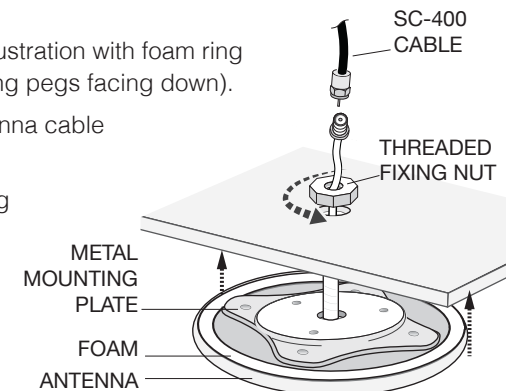
Besides the antenna itself, parts include mounting options for an install that is accessible by crawl space or one that is not. Optimally, It should be located central to where signal is needed with minimal obstacles. The range of this antenna is dependent on three factors:

1. Physical obstructions
2. Power generated by booster
3. Signal level received by the outdoor antenna

Installation

If accessible by crawl space:

1. Drill a center-hole. The size should be large enough to allow the antenna's threaded plastic cable base to pass through.
2. Assemble the antenna as shown in the illustration with foam ring and metal mounting plate (with interlocking pegs facing down).
3. Push antenna to ceiling surface with antenna cable passing through ceiling.
4. From crawl space, use the threaded fixing nut to secure antenna by tightening around the threaded plastic cable base.
5. Connect female antenna connector with low-loss cabling.



If not accessible by crawl space:

1. Drill a center-hole. The size should be large enough to allow the antenna's plastic cable base to pass through.
2. Use metal mounting plate to align, mark and drill 3 holes into ceiling surface and insert provided anchors.
3. Secure metal mountings plate to ceiling by inserting provided screws through mounting plate (with interlocking pegs facing down) and into ceiling anchors.
4. Place foam ring onto antenna as shown in illustration B.
5. Push antenna to bracket surface allowing cable to pass through ceiling hole. Align keyhole mounts on the antenna with down-facing pegs and twist into place.
6. Connect female antenna connector with low-loss cabling.

