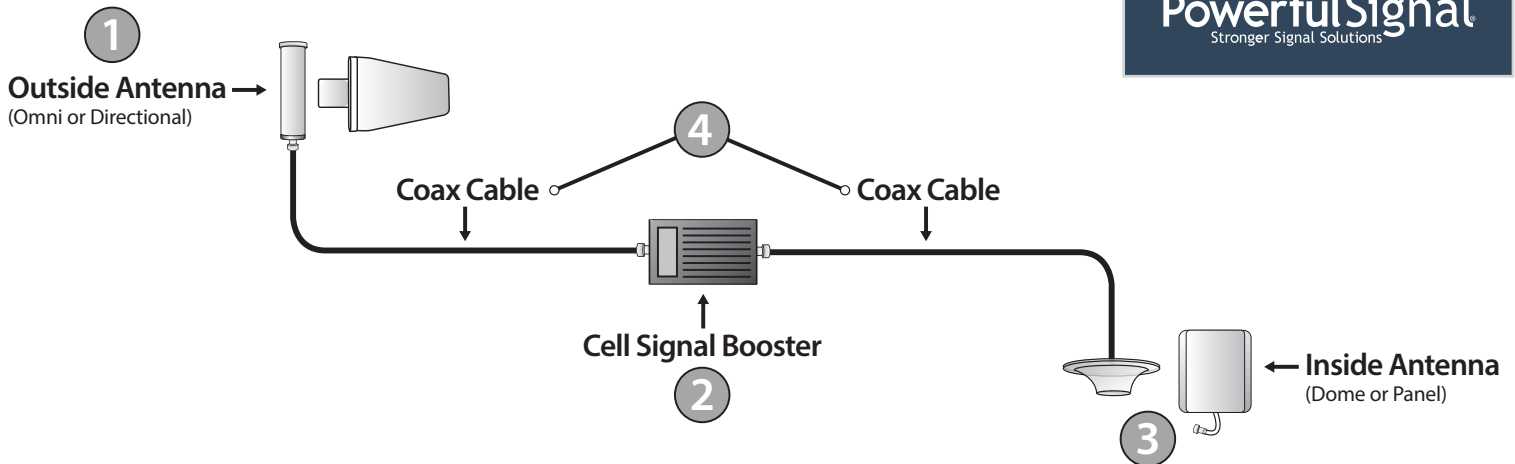


# Home Cell Signal Booster Installation Guide

TS002001

**PowerfulSignal**  
Stronger Signal Solutions



## 1 Outside Antenna

Attach the antenna vertically to a roof mount or pole at the highest point on the roof.

- A directional antenna must be pointed at the cell tower you wish to use.
- An omnidirectional antenna does not need to be pointed or aimed.

## 2 Cellular Signal Booster

Mount the booster near an AC power outlet. If possible, mount it close to the outside antenna and use the shortest run of cable to connect it to outside antenna.

## 3 Inside Antenna

Try to get at least 20' of vertical separation between the inside and outside antennas and 10' of separation between the inside antenna and the booster.

- Install a dome antenna in the ceiling close to the center of the home or the area where you most need signal.
- Install a panel antenna on the inside of an exterior wall using the antenna's mounting kit. Point it toward the area of the house where you most need signal away from the outside antenna location..

## 4 Coax Cables

Bring a coax cable from the roof into the house through a vent or other opening and connect to the **Outside** port of booster. Connect another cable from the **Inside** port of the booster to the inside antenna. Do not kink, loop, or coil excess cable.

## Installation Tip:

We strongly recommend that you do a "soft installation" before permanently mounting the components and pulling cables.

- Set up and connect all the components but don't mount any items.
- Bring the outside cable in through an open window or door and position the antennas where you intend to install them.
- Turn the system on and check the results. If it's not working the way you expect, give us a call — we're happy to help you!

# Instructions continued:

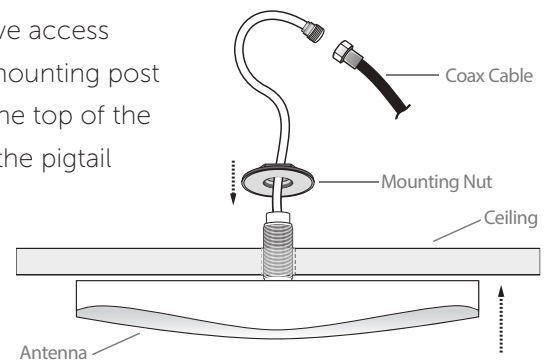
## Installing a Lighting Surge Protector

If your system includes a Lightning Surge Protector, connect it between the outside antenna and the coax cable to the booster. (It may or may not require a short jumper cable.) Insert an 8- to 10-gauge solid copper ground wire (not included) into the eyelet of the surge protector and crimp with pliers. Run the ground wire outside the house to an 8 foot solid copper ground rod (not included).



## Installing a Dome Antenna

If your system includes a dome antenna, install it in a location where you have access above the ceiling. Cut a 3/4-inch hole in the ceiling and insert the antenna's mounting post and pigtail connector cable through the hole. Twist the mounting nut onto the top of the post until the antenna is flush with the ceiling. Do not overtighten. Connect the pigtail cable to a coax cable that runs to the booster.



## How to Install Two or More Inside Antennas

If your system includes two or more inside dome or panel antennas, attach the short (typically 2-foot) jumper cable to the Inside port of the booster. Connect the splitter to the other end of the jumper cable. Connect coax cables to the opposite end of the splitter and run one to each inside antenna.

