

# CEL-FI GO G43

## In-Building Cellular Coverage Solution

**MODEL NUMBERS:** G43-BBBE

Designed to offer retailers, convenience stores, quick serve restaurants, and other small businesses a fast way to solving in-building cellular coverage challenges, the CEL-FI GO G43 is a multi-operator cellular coverage solution that ensures reliable in-building 4G and future 5G NR connectivity for up to three Mobile Network Operator (MNO) signals. In addition to offering the ease of installation that CEL-FI GO systems are known for, GO G43 features the latest Nextivity proprietary 4th generation IntelliBoost technology to deliver the same multi-operator, channelized signal boosting performance as the flagship CEL-FI QUATRA line of products. The system also offers remote system monitoring and management via the Nextivity WAVE Portal.



CEL-FI GO G43

### Features and benefits include:

- Latest 4th generation Nextivity proprietary IntelliBoost chip delivers channelized coverage for multi-operator signals
- Ready to extend coverage for future 5G networks
- Industry-leading signal gain up to 100 dB to overcome coverage challenges where no other solution can
- Automatic gain control (AGC) feature automatically adjusts the signal strength to prevent interference with the MNO network
- System monitoring and management with WAVE Portal

### Specifications

|   |   |
|---|---|
| Frequency Bands   | 2/4/5/12/13/25  |
| Relay Channel Bandwidths (MHz)                                    | 5/10/15/20  |
| Networks  | 4G/5G   |
| Network Protocols   | LTE/DSS/NR*   |
| Antenna Technology  | SISO  |
| Network Selection   | Automatically best available (WAVE Portal for manual setting) |
| Duplex Modes  | FDD   |
| # of Relay Bands (max.)   | 6   |
| Relay Bandwidth per Donor Port (MHz max.)                         | 20 + 20   |
| Output Downlink Power (All Bands) (dBm max. per band per port)    | 17  |
| Output Downlink Power (All Bands) (dBm max. per channel per port) | 12  |
| Output Uplink Power (Bands 2/4/25) (dBm max.)                     | 22  |
| Output Uplink Power (Bands 5/12/13) (dBm max.)                    | 20  |
| System Gain (dBm max.)  | 100   |
| Enterprise-Grade Echo Cancellation (dB min.)                      | 30  |
| Return Loss (dB typ.)   | -8  |
| Impedance (Ω nom.)  | 50  |

\* Available with software update in 2024.

### Bands

| Frequency Bands | Downlink (MHz) | Uplink (MHz) | Max. Relay BW (MHz) |
|-----------------|----------------|--------------|---------------------|
| 2               | 1930-1990      | 1850-1910    | 20                  |
| 4               | 2110-2155      | 1710-1755    | 20                  |
| 5               | 869-894        | 824-849      | 15                  |
| 12              | 729-746        | 699-716      | 10                  |
| 13              | 746-756        | 777-787      | 10                  |
| 25              | 1930-1995      | 1850-1915    | 20                  |

## Interface

|                                |  |
|--------------------------------|--|
| Donor RF Connector             | 3x N-type (f)                            |
| Server RF Connector            | 3x N-type (f) (1x N-type (f) terminated) |
| DC Input                       | Power DIN, 4 Pin                         |
| Power & System Status          | 3x Bi-color LED (Green/Red)              |
| LAN Status                     | 1x LED (Green)                           |
| Factory Debug only             | 3x USB 2.0 Micro-B                       |
| System Management & SW Updates | RJ45 for WAVE Portal for Desktop         |

## Compliance

|       |   |
|-------|---|
| 3GPP  | TS 25.143 Rel 13                            |
|       | 3GPP TS 36.143 Rel 13                       |
| FCC   | Compliant                                   |
|       | Part 15, Part 20, Part 22, Part 24, Part 27 |
| RoHS3 | EN 63000: 2018                              |
| UL    | Yes   |
| ISED  | Yes   |

## Power Supply

|                                       |              |
|---------------------------------------|--------------|
| Power Consumption (W max.)            | 102          |
| Input Voltage (VDC)                   | 11.4 to 12.6 |
| Input Current (A max.)                | 8.5          |
| Power Supply Plug                     | Type A (US)  |
| Power Supply AC Cable                 | 18 AWG       |
| Power Supply Cable Length (ft (m))    | 6 (1.85)     |
| Power Supply DC Cable                 | 16 AWG       |
| Power Supply DC Cable Length (ft (m)) | 3.3 (1)      |

## Environmental

|   |                        |
|---|------------------------|
| Operating Temperature (°F (°C))               | 32 to 104 (0 to 40)    |
| Storage Temperature (°F (°C))                 | -31 to 158 (-35 to 70) |
| Heat Dissipation                              | Passive Convection     |
| Surface Temperature (°F (°C) max. at ambient) | 111.2 (44)             |
| Non-condensing Humidity (%)                   | 0 to 95                |
| Ingress Protection Rating                     | IPX0                   |

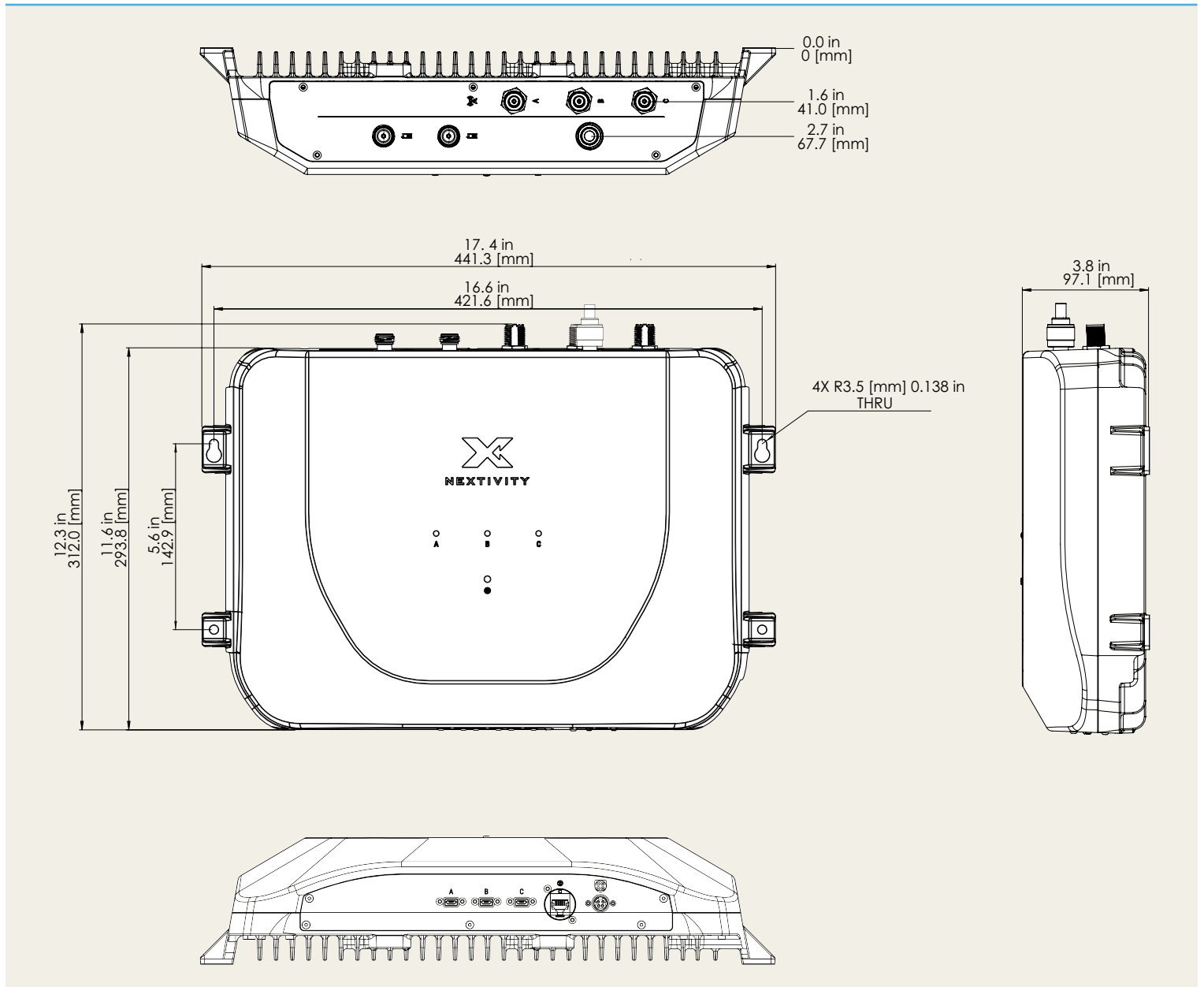
## Mechanical

|                                |                                    |
|--------------------------------|------------------------------------|
| Main Unit Dimensions (in (mm)) | 17.4 x 12.3 x 3.8 (441 x 312 x 97) |
| Main Unit Weight (lbs (kg))    | 15.4 (7.0)                         |

## Ordering Information

| MODEL NUMBER                                | G43-BBBE                            |
|---|-------------------------------------|
| Region                                      | AMER                                |
| Frequency Bands                             | 2/4/5/12/13/25                      |
| Box Contents                                | Main Unit                           |
|   | 1x AC Adapter (290N156-001)         |
|   | 4x Mounting Screws                  |
|   | 4x Drywall Anchors                  |
|   | 1x AC Cable (249N001-001)           |
| Shipping Dimensions (in (mm))               | 23.5 x 14.8 x 6.8 (597 x 376 x 172) |
| Shipping Weight (lbs (kg))                  | 19.5 (8.85)                         |
| Harmonized Tariff Schedule (HTS)            | 8517.18.00.50                       |
| Export Control Classification Number (ECCN) | EAR99                               |

# CEL-FI GO G43 Outline



Product specifications are subject to change without prior notification.



[nextivityinc.com/products/cel-fi-go-g43](https://nextivityinc.com/products/cel-fi-go-g43)

16550 West Bernardo Drive, Bldg. 5, Suite 550 | San Diego, CA 92127 | [www.nextivityinc.com](http://www.nextivityinc.com)

Copyright © 2023 by Nextivity, Inc., U.S. All rights reserved. The Nextivity and CEL-FI logos are registered trademarks of Nextivity, Inc. All other trademarks or registered trademarks listed belong to their respective owners. Rev23-1016